



Electrolux
PROFESSIONAL

Cooking accessories
Trolley for slide-in rack for 6 & 10
GN 2/1 oven and blast chiller freezer

ITEM # _____

MODEL # _____

NAME # _____

SIS # _____

AIA # _____



922627 (TRSLRA61021)

Trolley for slide-in rack for 10
GN 2/1 oven and blast
chiller freezer

Main Features

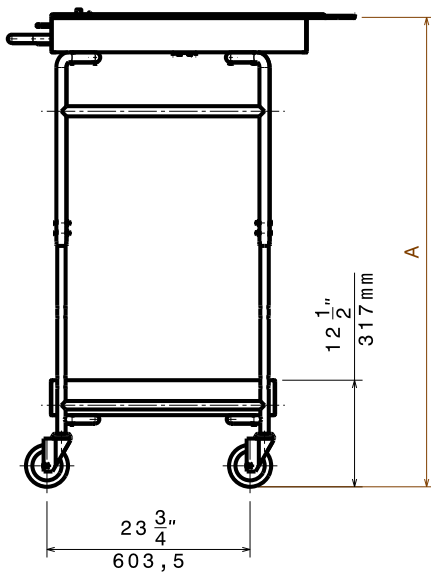
- Ideal for smooth handling process.
- Recommended to be used with slide-in support.

APPROVAL: _____

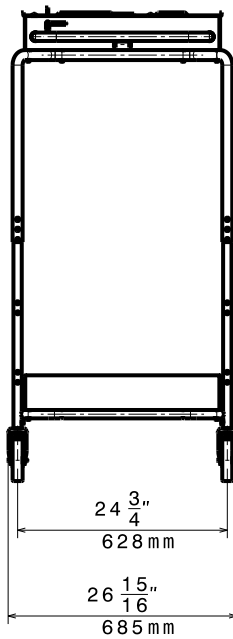


Experience the Excellence
www.electroluxprofessional.com

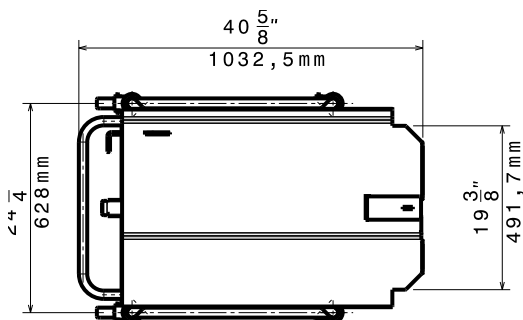
Front



Side



Top



Key Information:

External dimensions, Width:	
922627 (TRSLRA61021)	685 mm
External dimensions, Depth:	1033 mm
External dimensions, Height:	949 mm
Net weight:	49 kg